



**3 GHz    N    N/O    S.P.4 T. SWITCH**

OPTIONS :

**R F CHARACTERISTICS**

NUMBER OF WAYS : 4  
FREQUENCY RANGE : 0 - 3 GHz  
IMPEDANCE : 50 Ohms

|                 |         |
|-----------------|---------|
| FREQUENCY (GHz) | 0 - 3   |
| V.S.W.R <=      | 1.20    |
| INSERT. LOSS <= | 0.20 dB |
| ISOLATION >=    | 80 dB   |
| AVER. POWER (*) | 400 W   |

**ELECTRICAL CHARACTERISTICS**

ACTUATOR : NORMALLY OPEN  
NOMINAL CURRENT AT 25° C (±10%) : 250 mA  
ACTUATOR VOLTAGE (Vcc) : 12V (10.2 to 13V) / NEGATIVE COMMON  
TERMINALS : solder pins (250°C max./30 sec.)

**MECHANICAL CHARACTERISTICS**

CONNECTORS : N female per MIL C 39012  
LIFE : 2.000.000 cycles per position  
SWITCHING TIME (nominal voltage;25° C) : < 15 ms  
CONSTRUCTION : splashproof  
WEIGHT : < 460 g

**ENVIRONMENTAL CHARACTERISTICS**

OPERATING TEMPERATURE RANGE (°C) : -40 , +85  
STORAGE TEMPERATURE RANGE (°C) : -55 , +85

(\* : average power at 25° C per RF path)

4112-9212 This information is given as an indication. In the continual goal to improve our products, we reserve the right to make any modifications judged necessary

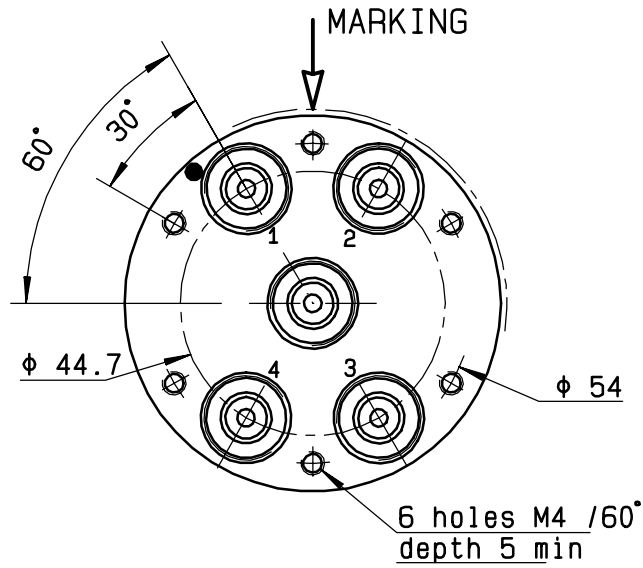
4113-9212 This information is given as an indication. In the continual goal to improve our products, we reserve the right to make any modifications judged necessary

**DRAWING**

General tolerance: ± 0,5 mm

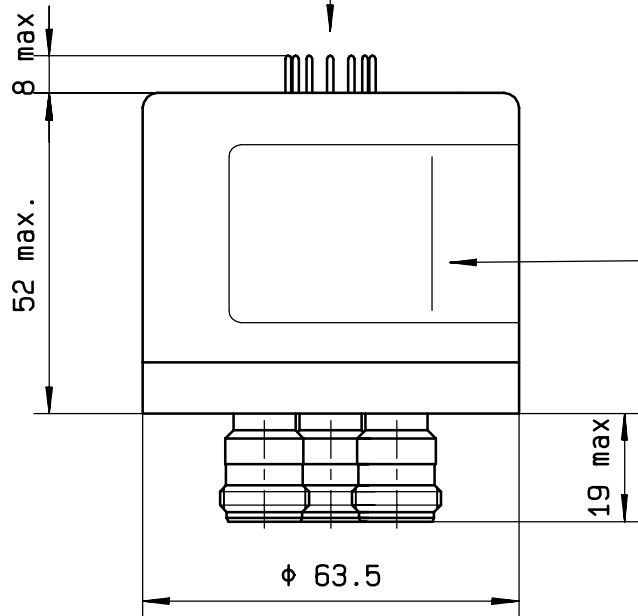
**R573 002 400**

Page  
2/2

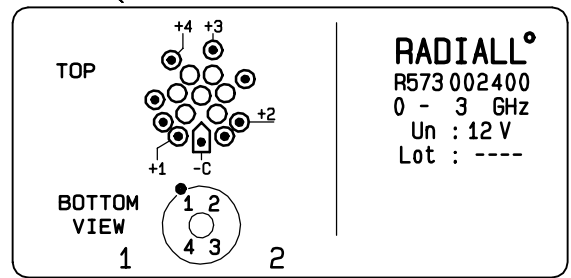


| Voltage | RF continuity |
|---------|---------------|
| -C +1   | IN ↔ 1        |
| -C +2   | IN ↔ 2        |
| -C +3   | IN ↔ 3        |
| -C +4   | IN ↔ 4        |

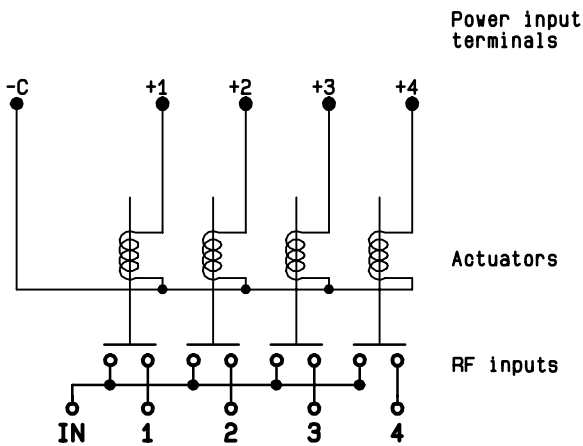
**TERMINALS**



**TOP VIEW (TERMINALS)**



**SCHEMATIC DIAGRAM**



ISSUE 22. Jan. 08